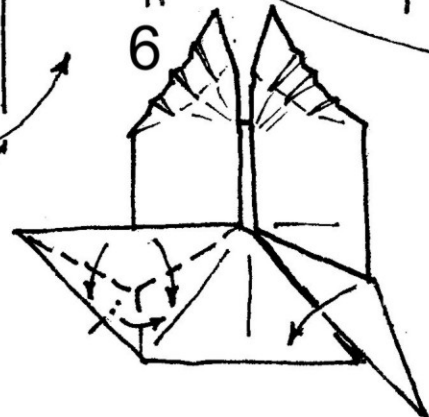
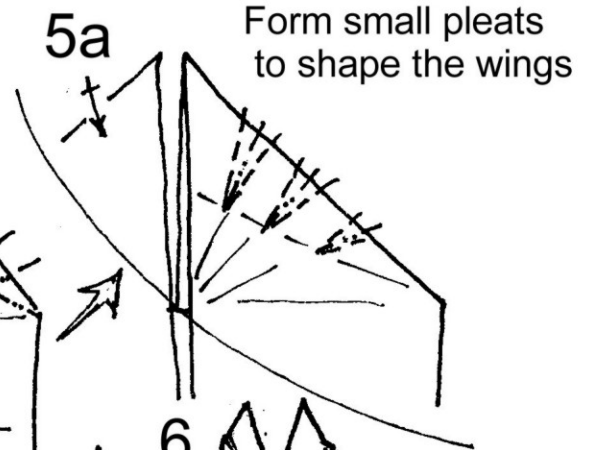
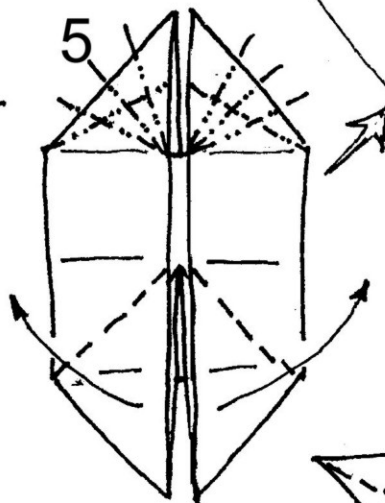
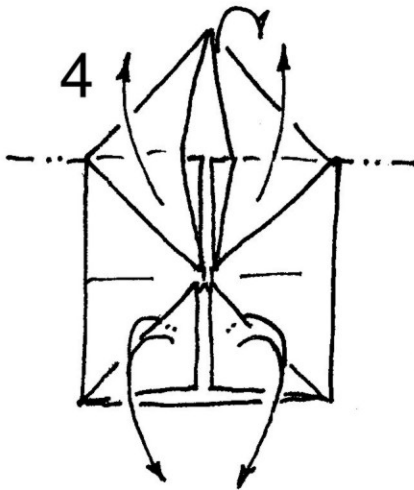
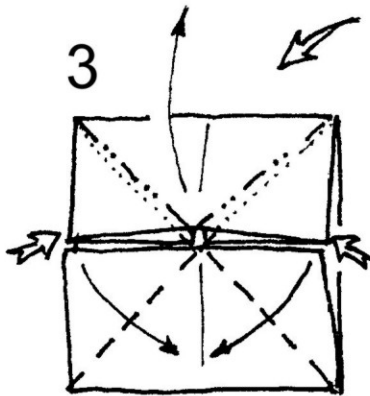
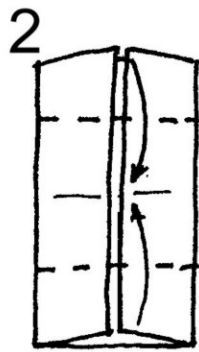
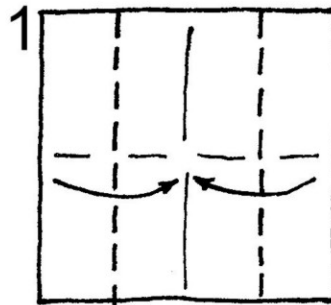


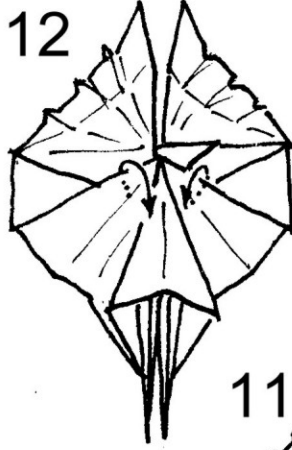


# Christmas Tree Fairy

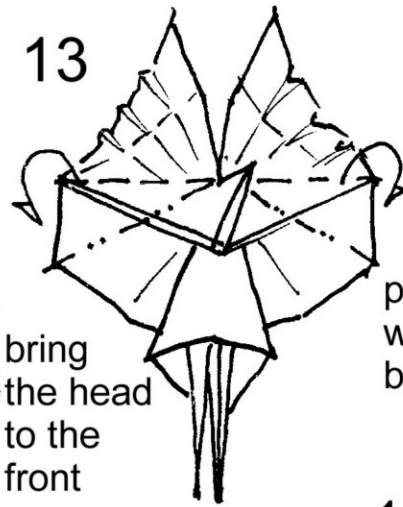
by Dave Brill

Start with a 30 cm square  
colour side up



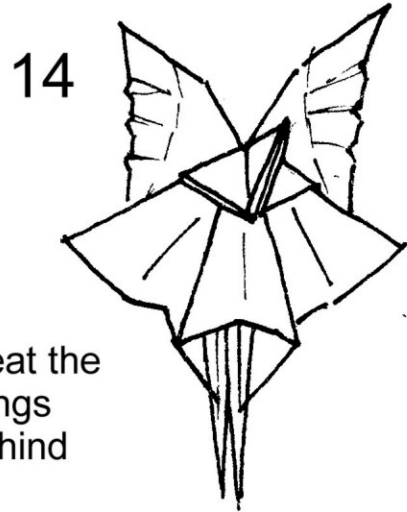


12



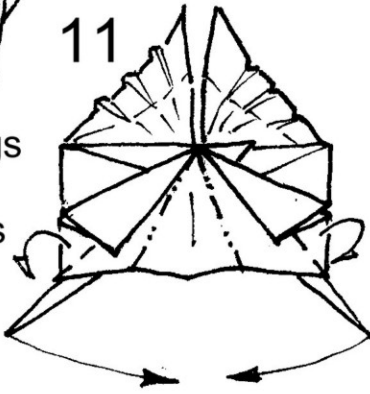
13

bring the head to the front



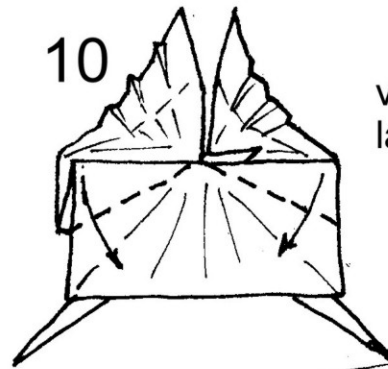
14

pleat the wings behind



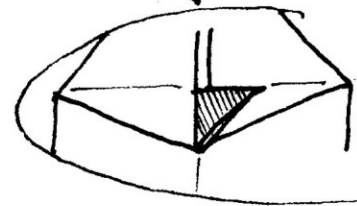
11

swing the legs together and release layers behind

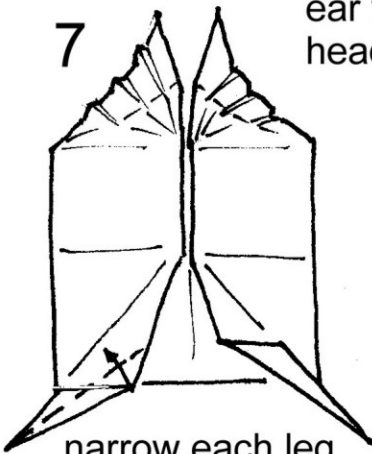


10

valley fold double layers each side



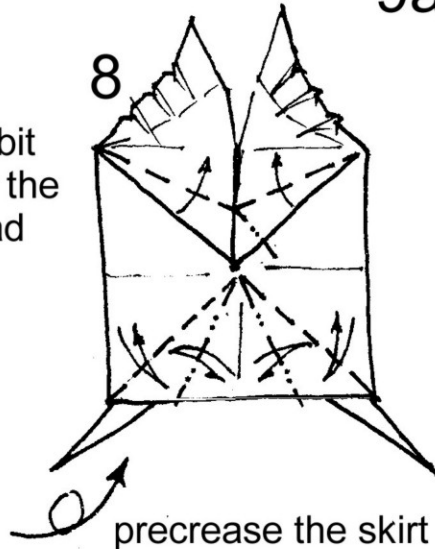
9a



7

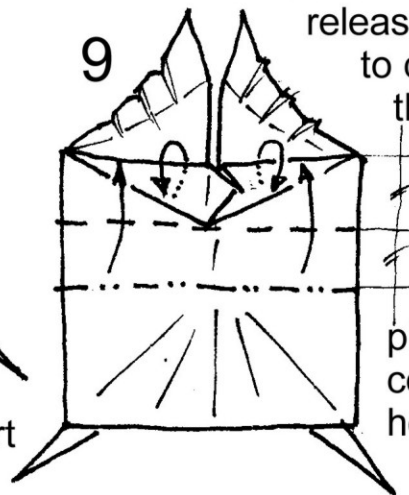
narrow each leg with valley folds

rabbit ear the head



8

precrease the skirt



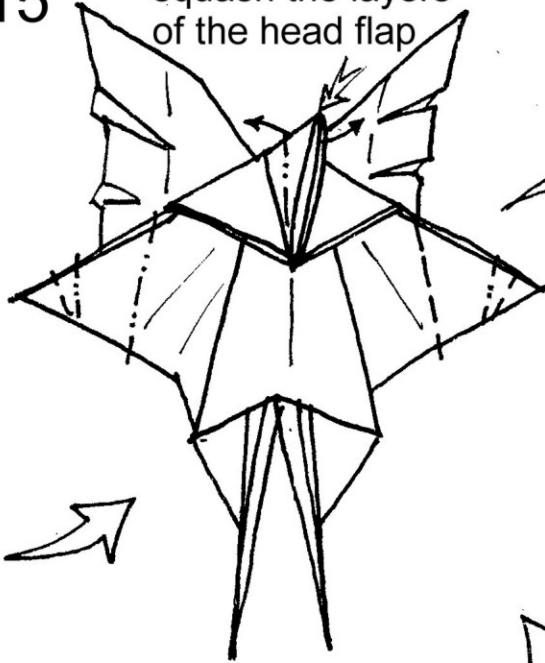
9

release layers to change the hair colour

pleat to cover the head flap

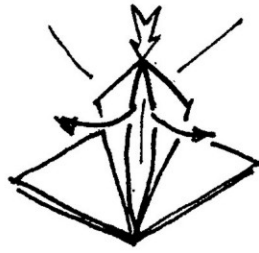
15

separate and gently  
squash the layers  
of the head flap



16

open and shape  
the head and hair



17

